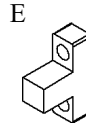
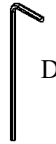
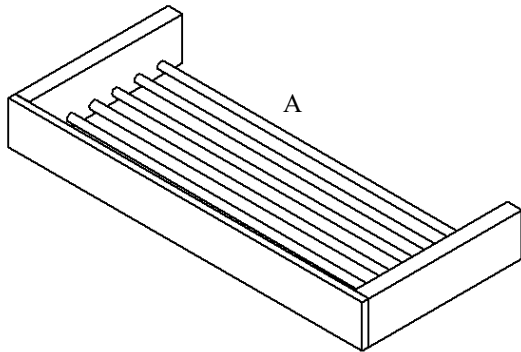




*Exhilarating by Design*

# Volkano Fire Shelf Installation Guide

Code: V5713, V5714, V5715



Parts Included	QTY
A - Shelf	1
B - Screw	4
C - Set Screw	2
D - Allen Key	1
E - Bracket	2

Model #	Description	Finish	Weight (lb)	WxHxD (mm)	WxHxD (Inches)	Metal Type
V5713	Fire Shelf	Chrome	1.5	250 x 30 x 113	10 x 1 x 4.5	Brass
V5714	Fire Shelf	Brushed Nickel	1.5	250 x 30 x 113	10 x 1 x 4.5	Brass
V5715	Fire Shelf	Matte Black	1.5	250 x 30 x 113	10 x 1 x 4.5	Brass

**Warranty:** 2 Years

**Care & Maintenance:** A periodic wash using warm water and a soft cloth will retain the high quality finish of your Volkano product for many years to come. ON NO ACCOUNT should any household bleaches, detergents, abrasive polishes, steel wool or other cleaning agents be used on this item.

